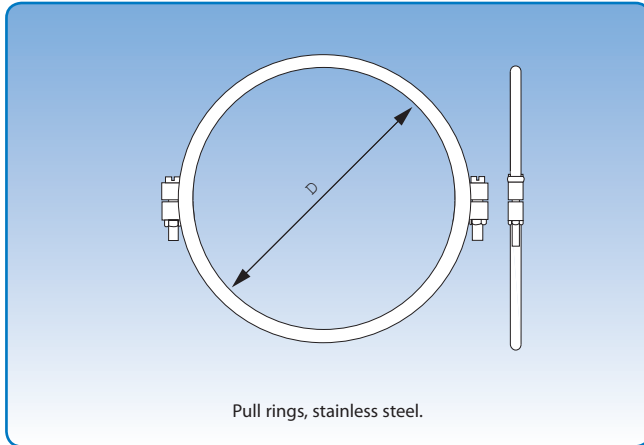


## Pull rings, stainless steel

Technical catalogue: Duct systems, stainless steel  
 Section: 03  
 Page: 1/2  
 Revised: 01.10.2008



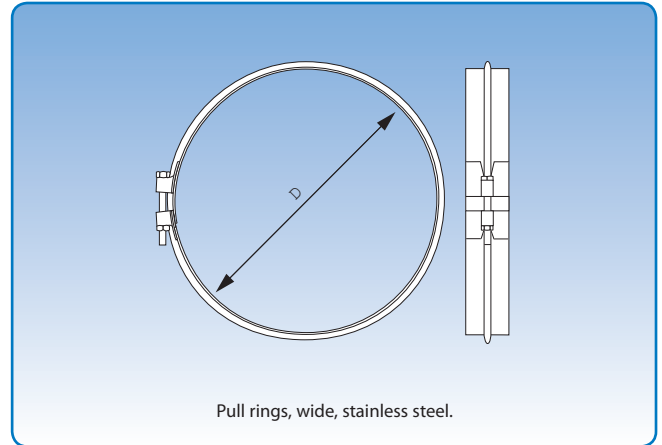
Diameter:  $\varnothing 80 - \varnothing 300$  mm.

Stainless steel pull rings [f.b] are in two pieces.

EPDM rubber rings are available as optional extras for sealing of diameter assemblies  $\varnothing 80 - \varnothing 300$  mm.

Supplied in plastic bags of 10 pcs.

Each bag also contains the nuts and bolts required for the assembly.



Diameter:  $\varnothing 200 - \varnothing 400$  mm.

Wide stainless steel pull rings [f.bb] are supplied individually with nuts and bolts.

Pull rings, stainless steel		
Item no.	D mm	Weight/10 pcs. kg
1699908	80	0,55
1699910	100	0,60
1699912	120	0,65
1699914	140	0,75
1699915	150	0,80
1699918	175	0,85
1699920	200	0,90
1699922	224	0,95
1699925	250	1,00
1699930	300	1,25

Pull rings, wide, stainless steel		
Item no.	D mm	Weight/pcs. kg
1699956	200	0,26
1699958	224	0,30
1699960	250	0,38
1699964	300	0,45
1699970	350	0,50
1699974	400	0,55